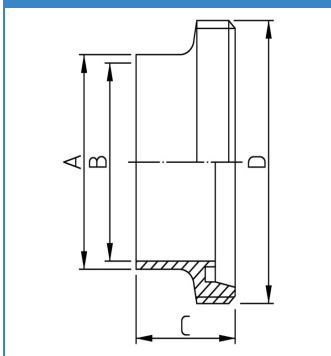
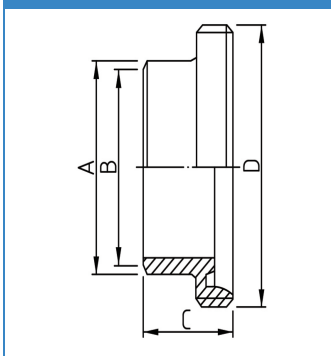


WELDING MALE THIN MODEL
DIN 11851



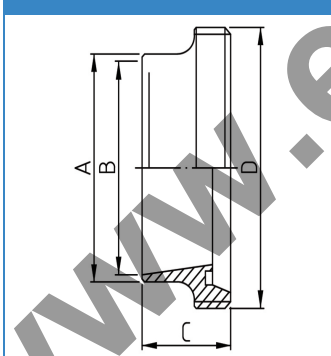
DN	A mm	B mm	C mm	D mm	E mm	kg	AISI 304/1.4301 Art.-Nr.	AISI 316L/1.4404 Art.-Nr.2
10	12.00	9.00	21.00	Rd28x1/8		0.03	101140-12	101170-12
10	13.00	10.00	21.00	Rd28x1/8		0.03	101140-13	101170-13
15	18.00	15.00	21.00	Rd34x1/8		0.04	101140-18	101170-18
15	19.00	16.00	21.00	Rd34x1/8		0.04	101140-19	101170-19
20	22.00	19.00	24.00	Rd44x1/6		0.08	101140-22	101170-22
20	23.00	20.00	24.00	Rd44x1/6		0.08	101140-23	101170-23
25	28.00	25.00	29.00	Rd52x1/6		0.12	101140-28	101170-28
25	29.00	26.00	29.00	Rd52x1/6		0.12	101140-29	101170-29
32	34.00	31.00	32.00	Rd58x1/6		0.14	101140-34	101170-34
32	35.00	32.00	32.00	Rd58x1/6		0.14	101140-35	101170-35
40	40.00	37.00	33.00	Rd65x1/6		0.15	101140-40	101170-40
40	41.00	38.00	33.00	Rd65x1/6		0.15	101140-41	101170-41
50	52.00	49.00	35.00	Rd78x1/6		0.24	101140-52	101170-52
50	53.00	50.00	35.00	Rd78x1/6		0.24	101140-53	101170-53
65	70.00	66.00	40.00	Rd95x1/6		0.37	101140-70	101170-70
80	85.00	81.00	45.00	Rd110x1/4		0.54	101140-85	101170-85
100	104.00	100.00	54.00	Rd130x1/4		0.70	101140-104	101170-104
125	129.00	125.00	46.00	Rd160x1/4		1.13	101140-129	101170-129
150	154.00	150.00	50.00	Rd190x1/4		1.77	101140-154	101170-154

WELDING MALE THICK MODEL DIN
11851



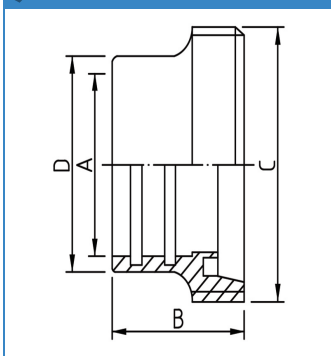
DN	A mm	B mm	C mm	D mm	E mm	kg	AISI 304/1.4301 Art.-Nr.	AISI 316L/1.4404 Art.-Nr.2
10	15.00	10.00	21.00	Rd28x1/8		0.03	102140-10	102170-10
15	21.00	16.00	21.00	Rd34x1/8		0.05	102140-15	102170-15
20	25.00	20.00	24.00	Rd44x1/6		0.10	102140-20	102170-20
25	31.00	26.00	29.00	Rd52x1/6		0.12	102140-25	102170-25
32	37.00	32.00	32.00	Rd58x1/6		0.15	102140-32	102170-32
40	43.00	38.00	33.00	Rd65x1/6		0.20	102140-40	102170-40
50	55.00	50.00	35.00	Rd78x1/6		0.29	102140-50	102170-50
65	72.00	66.00	40.00	Rd95x1/6		0.44	102140-65	102170-65
80	87.00	81.00	45.00	Rd110x1/4		0.58	102140-80	102170-80
100	106.00	100.00	54.00	Rd130x1/4		0.87	102140-100	102170-100
125	132.00	125.00	46.00	Rd160x1/4		1.30	102140-125	102170-125
150	157.00	150.00	50.00	Rd190x1/4		1.90	102140-150	102170-150

WELDING MALE DIN / ISO

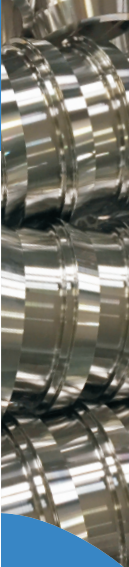


DN	A mm	B mm	C mm	D mm	E mm	kg	AISI 304/1.4301 Art.-Nr.	AISI 316L/1.4404 Art.-Nr.2
10	17.20	14.20	21.00	Rd28x1/8		0.04	102140-1017	102170-1017
15	21.30	18.10	21.00	Rd34x1/8		0.05	102140-1521	102170-1521
20	26.90	23.70	24.00	Rd44x1/6		0.10	102140-2026	102170-2026
25	33.70	29.70	29.00	Rd52x1/6		0.13	102140-2533	102170-2533
32	42.40	38.40	32.00	Rd58x1/6		0.16	102140-3242	102170-3242
40	48.30	44.30	33.00	Rd65x1/6		0.21	102140-4048	102170-4048
50	60.30	56.30	35.00	Rd78x1/6		0.30	102140-5060	102170-5060
65	76.10	71.50	40.00	Rd95x1/6		0.45	102140-6576	102170-6576
80	88.90	84.30	45.00	Rd110x1/4		0.60	102140-8089	102170-8089
100	114.30	109.10	54.00	Rd130x1/4		0.78	102140-100114	102170-100114

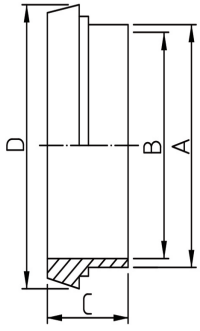
EXPANDING MALE
DIN 11851



DN	A mm	B mm	C mm	D mm	E mm	kg	AISI 304/1.4301 Art.-Nr.	AISI 316L/1.4404 Art.-Nr.2
10	12.20	21.00	Rd28x1/8	18.00		0.03	103140-10	103170-10
15	18.20	21.00	Rd34x1/8	24.00		0.05	103140-15	103170-15
20	22.20	24.00	Rd44x1/6	30.00		0.10	103140-20	103170-20
25	28.20	29.00	Rd52x1/6	35.00		0.12	103140-25	103170-25
32	34.20	32.00	Rd58x1/6	41.00		0.15	103140-32	103170-32
40	40.20	33.00	Rd65x1/6	48.00		0.20	103140-40	103170-40
50	52.20	35.00	Rd78x1/6	61.00		0.29	103140-50	103170-50
65	70.30	40.00	Rd95x1/6	79.00		0.44	103140-65	103170-65
80	85.30	45.00	Rd110x1/4	93.00		0.58	103140-80	103170-80
100	104.30	54.00	Rd130x1/4	114.00		0.87	103140-100	103170-100

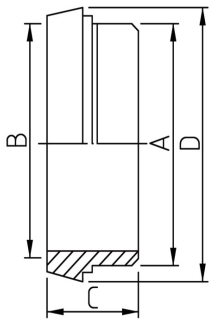


WELDING LINER THIN MODEL DIN 11851



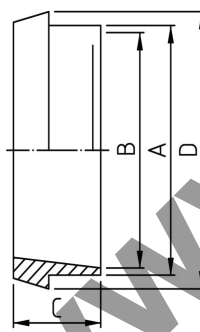
DN	A mm	B mm	C mm	D mm	E mm	kg	AISI 304/1.4301 Art.-Nr.	AISI 316L/1.4404 Art.-Nr.2
10	12.00	9.00	17.00	22.50		0.01	104140-12	104170-12
10	13.00	10.00	17.00	22.50		0.01	104140-13	104170-13
15	18.00	15.00	17.00	28.50		0.02	104140-18	104170-18
15	19.00	16.00	17.00	28.50		0.02	104140-19	104170-19
20	22.00	19.00	18.00	36.50		0.04	104140-22	104170-22
20	23.00	20.00	18.00	36.50		0.04	104140-23	104170-23
25	28.00	25.00	22.00	44.00		0.07	104140-28	104170-28
25	29.00	26.00	22.00	44.00		0.07	104140-29	104170-29
32	34.00	31.00	25.00	50.00		0.12	104140-34	104170-34
32	35.00	32.00	25.00	50.00		0.12	104140-35	104170-35
40	40.00	37.00	26.00	56.00		0.13	104140-40	104170-40
40	41.00	38.00	26.00	56.00		0.13	104140-41	104170-41
50	52.00	49.00	28.00	68.50		0.15	104140-52	104170-52
50	53.00	50.00	28.00	68.50		0.15	104140-53	104170-53
65	70.00	66.00	32.00	86.00		0.31	104140-70	104170-70
80	85.00	81.00	37.00	100.00		0.38	104140-85	104170-85
100	104.00	100.00	44.00	121.00		0.60	104140-104	104170-104
125	129.00	125.00	34.00	150.00		0.76	104140-129	104170-129
150	154.00	150.00	37.00	176.00		1.03	104140-154	104170-154

WELDING LINER THICK MODEL DIN 11851



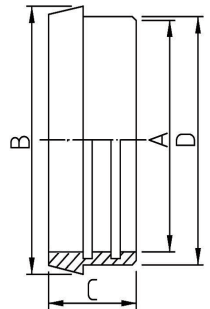
DN	A mm	B mm	C mm	D mm	E mm	kg	AISI 304/1.4301 Art.-Nr.	AISI 316L/1.4404 Art.-Nr.2
10	15.00	10.00	17.00	22.50		0.02	105140-10	105170-10
15	21.00	16.00	17.00	28.50		0.03	105140-15	105170-15
20	25.00	20.00	18.00	36.50		0.05	105140-20	105170-20
25	31.00	26.00	22.00	44.00		0.09	105140-25	105170-25
32	37.00	32.00	25.00	50.00		0.11	105140-32	105170-32
40	43.00	38.00	26.00	56.00		0.14	105140-40	105170-40
50	55.00	50.00	28.00	68.50		0.22	105140-50	105170-50
65	72.00	66.00	32.00	86.00		0.31	105140-65	105170-65
80	87.00	81.00	37.00	100.00		0.40	105140-80	105170-80
100	106.00	100.00	44.00	121.00		0.68	105140-100	105170-100
125	132.00	125.00	34.00	150.00		0.86	105140-125	105170-125
150	157.00	150.00	37.00	176.00		1.13	105140-150	105170-150

WELDING LINER DIN / ISO

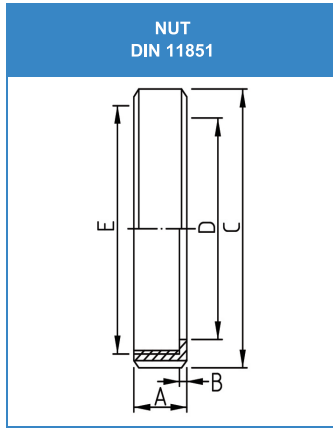


DN	A mm	B mm	C mm	D mm	E mm	kg	AISI 304/1.4301 Art.-Nr.	AISI 316L/1.4404 Art.-Nr.2
10	17.20	14.20	17.00	22.50		0.02	105140-1017	105170-1017
15	21.30	18.10	17.00	28.50		0.03	105140-1521	105170-1521
20	26.90	23.70	18.00	36.50		0.06	105140-2026	105170-2026
25	33.70	29.70	22.00	44.00		0.09	105140-2533	105170-2533
32	42.40	38.40	25.00	50.00		0.11	105140-3242	105170-3242
40	48.30	44.30	26.00	56.00		0.14	105140-4048	105170-4048
50	60.30	56.30	28.00	68.50		0.21	105140-5060	105170-5060
65	76.10	71.50	32.00	86.00		0.32	105140-6576	105170-6576
80	88.90	84.30	37.00	100.00		0.40	105140-8089	105170-8089
100	114.30	109.10	44.00	121.00		0.59	105140-100114	105170-100114

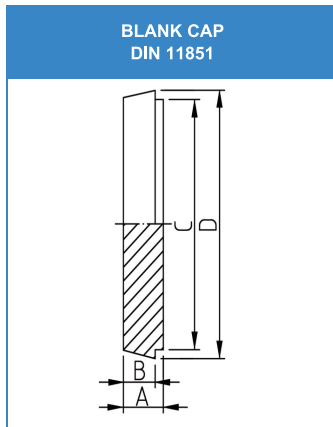
EXPANDING LINER DIN 11851



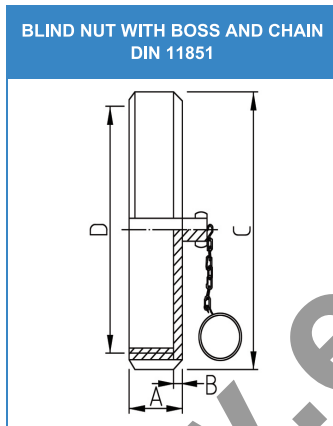
DN	A mm	B mm	C mm	D mm	E mm	kg	AISI 304/1.4301 Art.-Nr.	AISI 316L/1.4404 Art.-Nr.2
10	12.20	22.50	17.00	18.00		0.02	106140-10	106170-10
15	18.20	28.50	17.00	24.00		0.03	106140-15	106170-15
20	22.20	36.50	18.00	30.00		0.05	106140-20	106170-20
25	28.20	44.00	22.00	35.00		0.09	106140-25	106170-25
32	34.20	50.00	25.00	41.00		0.11	106140-32	106170-32
40	40.20	56.00	26.00	48.00		0.14	106140-40	106170-40
50	52.20	68.50	28.00	61.00		0.22	106140-50	106170-50
65	70.30	86.00	32.00	79.00		0.31	106140-65	106170-65
80	85.30	100.00	37.00	93.00		0.40	106140-80	106170-80
100	104.30	121.00	44.00	114.00		0.68	106140-100	106170-100



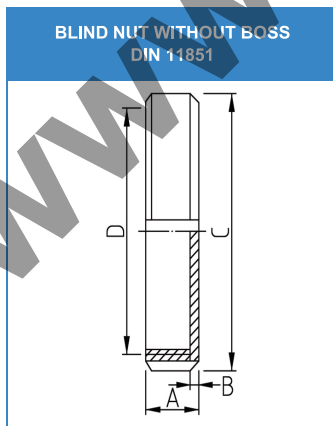
DN	A mm	B mm	C mm	D mm	E mm	kg	AISI 304/1.4301 Art.-Nr.	AISI 316L/1.4404 Art.-Nr.2
10	18.00	3.00	38.00	19.00	Rd28x1/8	0.06	107140-10	
15	18.00	3.00	44.00	25.00	Rd34x1/8	0.08	107140-15	
20	20.00	3.00	54.00	31.00	Rd44x1/6	0.11	107140-20	
25	21.00	3.00	63.00	36.00	Rd52x1/6	0.16	107140-25	
32	21.00	3.00	70.00	42.00	Rd58x1/6	0.19	107140-32	
40	21.00	3.00	78.00	49.00	Rd65x1/6	0.24	107140-40	
50	22.00	3.00	92.00	62.00	Rd78x1/6	0.32	107140-50	
65	25.00	4.00	112.00	80.00	Rd95x1/6	0.53	107140-65	
80	29.00	4.00	127.00	94.00	Rd110x1/4	0.72	107140-80	
100	31.00	5.00	148.00	115.00	Rd130x1/4	0.97	107140-100	
125	35.00	5.00	178.00	138.00	Rd160x1/4	1.38	107140-125	
150	40.00	6.00	210.00	164.00	Rd190x1/4	2.15	107140-150	



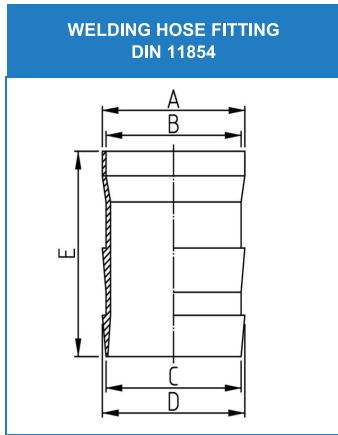
DN	A mm	B mm	C mm	D mm	E mm	kg	AISI 304/1.4301 Art.-Nr.	AISI 316L/1.4404 Art.-Nr.2
10	9.00	6.00	18.00	22.50		0.02	108140-10	108170-10
15	9.00	6.00	24.00	28.50		0.04	108140-15	108170-15
20	11.00	8.00	30.00	36.50		0.07	108140-20	108170-20
25	13.00	10.00	35.00	44.00		0.12	108140-25	108170-25
32	13.00	10.00	41.00	50.00		0.16	108140-32	108170-32
40	13.00	10.00	48.00	56.00		0.22	108140-40	108170-40
50	14.00	11.00	61.00	68.50		0.36	108140-50	108170-50
65	16.00	12.00	79.00	86.00		0.66	108140-65	108170-65
80	16.00	12.00	93.00	100.00		0.91	108140-80	108170-80
100	20.00	15.00	114.00	121.00		1.66	108140-100	108170-100
125	22.00	17.00	137.00	150.00		2.84	108140-125	108170-125
150	24.00	18.00	163.00	176.00		4.29	108140-150	108170-150



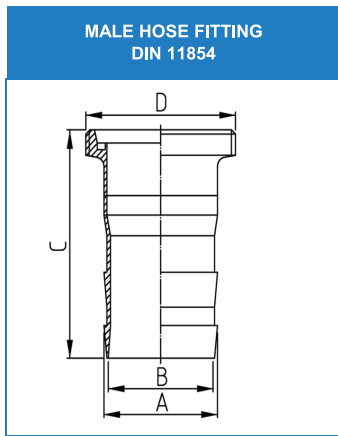
DN	A mm	B mm	C mm	D mm	E mm	kg	AISI 304/1.4301 Art.-Nr.	AISI 316L/1.4404 Art.-Nr.2
10	18.00	3.50	38.00	Rd28x1/8		0.08	109140-10	
15	18.00	3.50	44.00	Rd34x1/8		0.10	109140-15	
20	20.00	3.50	54.00	Rd44x1/6		0.15	109140-20	
25	21.00	3.50	63.00	Rd52x1/6		0.19	109140-25	
32	21.00	3.50	70.00	Rd58x1/6		0.25	109140-32	
40	21.00	3.50	78.00	Rd65x1/6		0.32	109140-40	
50	22.00	3.50	92.00	Rd78x1/6		0.49	109140-50	
65	25.00	4.50	112.00	Rd95x1/6		0.75	109140-65	
80	30.00	4.50	127.00	Rd110x1/4		1.07	109140-80	
100	31.00	5.50	148.00	Rd130x1/4		1.52	109140-100	
125	35.00	5.50	178.00	Rd160x1/4		1.52	109140-125	
150	40.00	6.50	210.00	Rd190x1/4		3.33	109140-150	



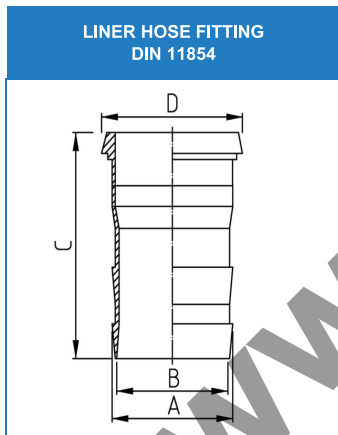
DN	A mm	B mm	C mm	D mm	E mm	kg	AISI 304/1.4301 Art.-Nr.	AISI 316L/1.4404 Art.-Nr.2
10	18.00	3.50	38.00	Rd28x1/8		0.08	109040-10	
15	18.00	3.50	44.00	Rd34x1/8		0.10	109040-15	
20	20.00	3.50	54.00	Rd44x1/6		0.15	109040-20	
25	21.00	3.50	63.00	Rd52x1/6		0.19	109040-25	
32	21.00	3.50	70.00	Rd58x1/6		0.25	109040-32	
40	21.00	3.50	78.00	Rd65x1/6		0.32	109040-40	
50	22.00	3.50	92.00	Rd78x1/6		0.49	109040-50	
65	25.00	4.50	112.00	Rd95x1/6		0.75	109040-65	
80	26.00	4.50	127.00	Rd110x1/4		1.07	109040-80	
100	31.00	5.50	148.00	Rd130x1/4		1.52	109040-100	
125	35.00	5.50	178.00	Rd160x1/4		1.52	109040-125	
150	40.00	6.50	210.00	Rd190x1/4		3.33	109040-150	



DN	A mm	B mm	C mm	D mm	E mm	kg	AISI 304/1.4301 Art.-Nr.	AISI 316L/1.4404 Art.-Nr.2
10	13.00	10.00	10.00	12.00	43.00	0.02	156140-13	156170-13
15	19.00	16.00	16.00	18.50	44.00	0.03	156140-19	156170-19
20	23.00	20.00	20.00	23.00	47.00	0.05	156140-23	156170-23
25	29.00	26.00	25.00	28.00	48.00	0.08	156140-29	156170-29
32	35.00	32.00	32.00	35.60	51.80	0.10	156140-35	156170-35
40	41.00	38.00	40.00	43.60	62.00	0.16	156140-41	156170-41
50	53.00	50.00	50.00	53.60	75.00	0.24	156140-53	156170-53
65	70.00	66.00	63.00	66.60	93.00	0.36	156140-70	156170-70
80	85.00	81.00	80.00	83.60	100.00	0.50	156140-85	156170-85
100	104.00	100.00	100.00	103.60	107.00	0.66	156140-104	156170-104

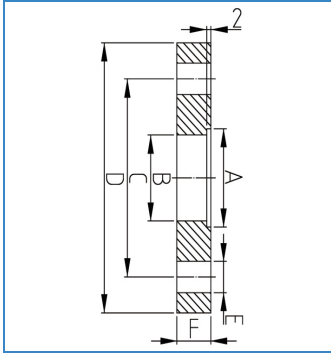


DN	A mm	B mm	C mm	D mm	E mm	kg	AISI 304/1.4301 Art.-Nr.	AISI 316L/1.4404 Art.-Nr.2
10	12.00	10.00	64.00	Rd 28 x 1/8"		0.05	151140-10	151170-10
15	18.50	16.00	65.00	Rd 34 x 1/8"		0.08	151140-15	151170-15
20	23.00	20.00	71.00	Rd 44 x 1/6"		0.17	151140-20	151170-20
25	28.00	25.00	77.00	Rd 52 x 1/6"		0.23	151140-25	151170-25
32	35.60	32.00	83.80	Rd 58 x 1/6"		0.33	151140-32	151170-32
40	43.60	40.00	95.00	Rd 65 x 1/6"		0.52	151140-40	151170-40
50	53.60	50.00	110.00	Rd 78 x 1/6"		0.66	151140-50	151170-50
65	66.60	63.00	133.00	Rd 95 x 1/6"		1.14	151140-65	151170-65
80	83.60	80.00	145.00	Rd 110 x 1/4"		1.50	151140-80	151170-80
100	103.60	100.00	161.00	Rd 130 x 1/4"		2.40	151140-100	151170-100



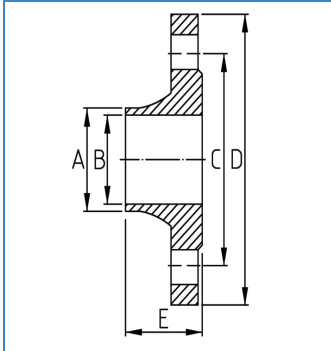
DN	A mm	B mm	C mm	D mm	E mm	kg	AISI 304/1.4301 Art.-Nr.	AISI 316L/1.4404 Art.-Nr.2
10	12.00	10.00	60.00	22.50		0.04	152140-10	152170-10
15	18.50	16.00	61.00	28.50		0.06	152140-15	152170-15
20	23.00	20.00	65.00	36.50		0.13	152140-20	152170-20
25	28.00	25.00	70.00	44.00		0.19	152140-25	152170-25
32	35.60	32.00	76.80	50.00		0.27	152140-32	152170-32
40	43.60	40.00	88.00	56.00		0.42	152140-40	152170-40
50	53.60	50.00	103.00	68.50		0.58	152140-50	152170-50
65	66.60	63.00	125.00	86.00		1.08	152140-65	152170-65
80	83.60	80.00	137.00	100.00		1.32	152140-80	152170-80
100	103.60	100.00	151.00	121.00		2.13	152140-100	152170-100

FLANGE PLAIN PN 10



DN	A mm	B mm	C mm	D mm	E-F mm	kg	AISI 304/1.4301 Art.-Nr.	AISI 316L/1.4404 Art.-Nr.2
10	12.2	10.0	60.0	90.0	14/4-14	0.50	201140-12	201170-12
10	13.2	10.0	60.0	90.0	14/4-14	0.50	201140-13	201170-13
15	18.2	16.0	65.0	95.0	14/4-14	0.60	201140-18	201170-18
15	19.2	16.0	65.0	95.0	14/4-14	0.60	201140-19	201170-19
20	22.2	20.0	75.0	105.0	14/4-14	0.85	201140-22	201170-22
20	23.2	20.0	75.0	105.0	14/4-14	0.85	201140-23	201170-23
25	28.2	26.0	85.0	115.0	14/4-14	1.11	201140-28	201170-28
25	29.2	26.0	85.0	115.0	14/4-14	1.11	201140-29	201170-29
32	34.2	32.0	100.0	140.0	18/4-14	1.64	201140-34	201170-34
32	35.2	32.0	100.0	140.0	18/4-14	1.64	201140-35	201170-35
40	40.2	38.0	110.0	150.0	18/4-14	1.80	201140-40	201170-40
40	41.2	38.0	110.0	150.0	18/4-14	1.80	201140-41	201170-41
50	52.2	50.0	125.0	165.0	18/4-14	2.30	201140-52	201170-52
50	53.2	50.0	125.0	165.0	18/4-14	2.30	201140-53	201170-53
65	70.5	66.0	145.0	185.0	18/4-14	2.88	201140-70	201170-70
80	85.5	81.0	160.0	200.0	18/8-16	3.20	201140-85	201170-85
100	104.5	100.0	180.0	220.0	18/8-16	4.00	201140-104	201170-104
125	129.5	125.0	210.0	250.0	18/8-20	5.00	201140-129	201170-129
150	154.5	150.0	240.0	285.0	22/8-20	6.70	201140-154	201170-154
200	205.0	200.0	295.0	340.0	22/8-24	9.00	201140-204	201170-204

**WELDING NECK FLANGE
DIN 2633 PN 16**

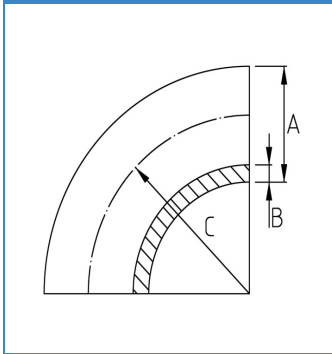


DN	A mm	B mm	C mm	D mm	E mm	kg	AISI 304/1.4301 Art.-Nr.	AISI 316L/1.4404 Art.-Nr.2
10	15.0	10.0	60.0	90.0	35.0	0.58	202140-10	202170-10
15	21.0	16.0	65.0	95.0	35.0	0.65	202140-15	202170-15
20	25.0	20.0	75.0	105.0	38.0	0.95	202140-20	202170-20
25	31.0	26.0	85.0	115.0	38.0	1.14	202140-25	202170-25
32	37.0	32.0	100.0	140.0	40.0	1.69	202140-32	202170-32
40	43.0	38.0	110.0	150.0	42.0	1.86	202140-40	202170-40
50	55.0	50.0	125.0	165.0	45.0	2.53	202140-50	202170-50
65	72.0	66.0	145.0	185.0	45.0	3.06	202140-65	202170-65
80	87.0	81.0	160.0	200.0	50.0	3.70	202140-80	202170-80
100	106.0	100.0	180.0	220.0	52.0	4.62	202140-100	202170-100
125	133.0	125.0	210.0	250.0	55.0	6.30	202140-125	202170-125
150	159.0	150.0	240.0	285.0	55.0	7.75	202140-150	202170-150

DIN

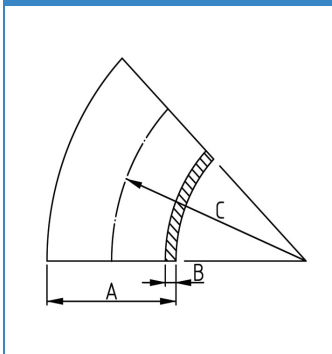


90° WELDING BEND 1.5 D
DIN 11852



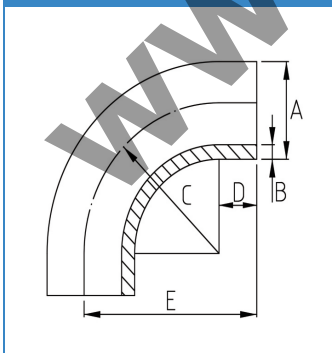
DN	A mm	B mm	C mm	D mm	E mm	kg	AISI 304/1.4301 Art.-Nr.	AISI 316L/1.4404 Art.-Nr.2
10	12.00	1.50	26.00			0.01	301140-12	301170-12
10	13.00	1.50	26.00			0.01	301140-13	301170-13
15	18.00	1.50	35.00			0.02	301140-18	301170-18
15	19.00	1.50	35.00			0.02	301140-19	301170-19
20	22.00	1.50	40.00			0.04	301140-22	301170-22
20	23.00	1.50	40.00			0.04	301140-23	301170-23
25	28.00	1.50	50.00			0.05	301140-28	301170-28
25	29.00	1.50	50.00			0.05	301140-29	301170-29
32	34.00	1.50	55.00			0.08	301140-34	301170-34
32	35.00	1.50	55.00			0.08	301140-35	301170-35
40	40.00	1.50	60.00			0.10	301140-40	301170-40
40	41.00	1.50	60.00			0.10	301140-41	301170-41
50	52.00	1.50	70.00			0.17	301140-52	301170-52
50	53.00	1.50	70.00			0.17	301140-53	301170-53
65	70.00	2.00	80.00			0.39	301140-70	301170-70
80	85.00	2.00	90.00			0.57	301140-85	301170-85
100	104.00	2.00	100.00			0.80	301140-104	301170-104
125	129.00	2.00	187.50			1.90	301140-129	301170-129
150	154.00	2.00	225.00			2.72	301140-154	301170-154
200	204.00	2.00	300.00			4.76	301140-204	301170-204

45° WELDING BEND 1.5 D
DIN 11852



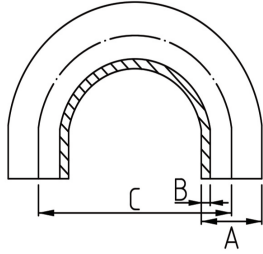
DN	A mm	B mm	C mm	D mm	E mm	kg	AISI 304/1.4301 Art.-Nr.	AISI 316L/1.4404 Art.-Nr.2
10	12.00	1.50	26.00			0.01	311140-12	311170-12
10	13.00	1.50	26.00			0.01	311140-13	311170-13
15	18.00	1.50	35.00			0.02	311140-18	311170-18
15	19.00	1.50	35.00			0.02	311140-19	311170-19
20	22.00	1.50	40.00			0.02	311140-22	311170-22
20	23.00	1.50	40.00			0.02	311140-23	311170-23
25	28.00	1.50	50.00			0.03	311140-28	311170-28
25	29.00	1.50	50.00			0.03	311140-29	311170-29
32	34.00	1.50	55.00			0.04	311140-34	311170-34
32	35.00	1.50	55.00			0.04	311140-35	311170-35
40	40.00	1.50	60.00			0.05	311140-40	311170-40
40	41.00	1.50	60.00			0.05	311140-41	311170-41
50	52.00	1.50	70.00			0.09	311140-52	311170-52
50	53.00	1.50	70.00			0.09	311140-53	311170-53
65	70.00	2.00	80.00			0.19	311140-70	311170-70
80	85.00	2.00	90.00			0.26	311140-85	311170-85
100	104.00	2.00	100.00			0.58	311140-104	311170-104
125	129.00	2.00	187.50			0.99	311140-129	311170-129
150	154.00	2.00	225.00			1.36	311140-154	311170-154
200	204.00	2.00	300.00			2.38	311140-204	311170-204

90° BEND WITH STRAIGHT ENDS 1.5D
DIN 11852



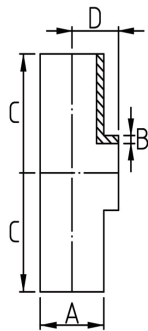
DN	A mm	B mm	C mm	D mm	E mm	kg	AISI 304/1.4301 Art.-Nr.	AISI 316L/1.4404 Art.-Nr.2
25	28.00	1.50	50.00	20.00	70.00	0.11	302140-28	302170-28
25	29.00	1.50	50.00	20.00	70.00	0.11	302140-29	302170-29
32	34.00	1.50	55.00	23.00	78.00	0.16	302140-34	302170-34
32	35.00	1.50	55.00	23.00	78.00	0.16	302140-35	302170-35
40	40.00	1.50	60.00	25.00	85.00	0.20	302140-40	302170-40
40	41.00	1.50	60.00	25.00	85.00	0.20	302140-41	302170-41
50	52.00	1.50	70.00	27.00	97.00	0.33	302140-52	302170-52
50	53.00	1.50	70.00	27.00	97.00	0.33	302140-53	302170-53
65	70.00	2.00	80.00	30.00	110.00	0.63	302140-70	302170-70
80	85.00	2.00	90.00	28.00	118.00	0.83	302140-85	302170-85
100	104.00	2.00	100.00	40.00	140.00	1.20	302140-104	302170-104

180° WELDING BEND
DIN 11852



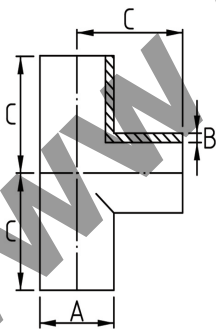
DN	A mm	B mm	C mm	D mm	E mm	kg	AISI 304/1.4301 Art.-Nr.	AISI 316L/1.4404 Art.-Nr.2
25	28.0	1.5	100.0			0.16	321140-28	321170-28
25	29.0	1.5	100.0			0.17	321140-29	321170-29
32	34.0	1.5	110.0			0.22	321140-34	321170-34
32	35.0	1.5	110.0			0.24	321140-35	321170-35
40	40.0	1.5	120.0			0.28	321140-40	321170-40
40	41.0	1.5	120.0			0.30	321140-41	321170-41
50	52.0	1.5	140.0			0.42	321140-52	321170-52
50	53.0	1.5	140.0			0.44	321140-53	321170-53
65	70.0	2.0	160.0			0.89	321140-70	321170-70
80	85.0	2.0	177.5			1.22	321140-85	321170-85
100	104.0	2.0	200.0			1.64	321140-104	321170-104

WELDING SHORT TEE
DIN 11852



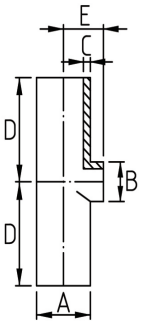
DN	A mm	B mm	C mm	D mm	E mm	kg	AISI 304/1.4301 Art.-Nr.	AISI 316L/1.4404 Art.-Nr.2
10	12.00	1.50	26.00	7.00		0.02	331140-12	331170-12
10	13.00	1.50	26.00	7.50		0.02	331140-13	331170-13
15	18.00	1.50	35.00	10.00		0.03	331140-18	331170-18
15	19.00	1.50	35.00	11.00		0.03	331140-19	331170-19
20	22.00	1.50	40.00	12.00		0.05	331140-22	331170-22
20	23.00	1.50	40.00	13.00		0.05	331140-23	331170-23
25	28.00	1.50	50.00	16.00		0.08	331140-28	331170-28
25	29.00	1.50	50.00	16.00		0.08	331140-29	331170-29
32	34.00	1.50	55.00	19.00		0.11	331140-34	331170-34
32	35.00	1.50	55.00	19.50		0.11	331140-35	331170-35
40	40.00	1.50	60.00	22.50		0.15	331140-40	331170-40
40	41.00	1.50	60.00	23.00		0.15	331140-41	331170-41
50	52.00	1.50	70.00	29.50		0.24	331140-52	331170-52
50	53.00	1.50	70.00	30.00		0.24	331140-53	331170-53
65	70.00	2.00	80.00	40.00		0.48	331140-70	331170-70
80	85.00	2.00	90.00	47.50		0.65	331140-85	331170-85
100	104.00	2.00	100.00	58.00		0.91	331140-104	331170-104
125	129.00	2.00	187.50	71.50		2.16	331140-129	331170-129
150	154.00	2.00	225.00	87.00		3.02	331140-154	331170-154
200	204.00	2.00	300.00	111.00		5.55	331140-204	331170-204
250	254.00	2.00	375.00	141.00		8.50	331140-254	331170-254

WELDING LONG TEE
DIN 11852



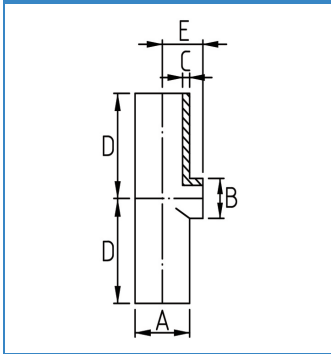
DN	A mm	B mm	C mm	D mm	E mm	kg	AISI 304/1.4301 Art.-Nr.	AISI 316L/1.4404 Art.-Nr.2
10	12.00	1.50	26.00			0.02	332140-12	332170-12
10	13.00	1.50	26.00			0.02	332140-13	332170-13
15	18.00	1.50	35.00			0.05	332140-18	332170-18
15	19.00	1.50	35.00			0.05	332140-19	332170-19
20	22.00	1.50	40.00			0.09	332140-22	332170-22
20	23.00	1.50	40.00			0.09	332140-23	332170-23
25	28.00	1.50	50.00			0.11	332140-28	332170-28
25	29.00	1.50	50.00			0.11	332140-29	332170-29
32	34.00	1.50	55.00			0.15	332140-34	332170-34
32	35.00	1.50	55.00			0.15	332140-35	332170-35
40	40.00	1.50	60.00			0.21	332140-40	332170-40
40	41.00	1.50	60.00			0.21	332140-41	332170-41
50	52.00	1.50	70.00			0.31	332140-52	332170-52
50	53.00	1.50	70.00			0.31	332140-53	332170-53
65	70.00	2.00	80.00			0.63	332140-70	332170-70
80	85.00	2.00	90.00			0.87	332140-85	332170-85
100	104.00	2.00	100.00			1.06	332140-104	332170-104
125	129.00	2.00	187.50			2.84	332140-129	332170-129
150	154.00	2.00	225.00			3.88	332140-154	332170-154
200	204.00	2.00	300.00			9.95	332140-204	332170-204
250	254.00	2.00	375.00			1.05	332140-254	332170-254

**REDUCING WELDING SHORT TEE
DIN 11852 (RANGE 1)**



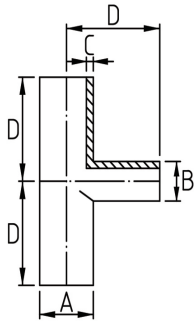
DN	A mm	B mm	C mm	D mm	E mm	kg	AISI 304/1.4301 Art.-Nr.	AISI 316L/1.4404 Art.-Nr.2
15-10	18.00	12.00	1.50	35.00	10.50	0.04	333140-1812	333170-1812
20-10	22.00	12.00	1.50	40.00	12.50	0.06	333140-2212	333170-2212
20-15	22.00	18.00	1.50	40.00	12.50	0.06	333140-2218	333170-2218
25-10	28.00	12.00	1.50	50.00	16.50	0.09	333140-2812	333170-2812
25-15	28.00	18.00	1.50	50.00	16.50	0.09	333140-2818	333170-2818
25-20	28.00	22.00	1.50	50.00	16.50	0.09	333140-2822	333170-2822
32-15	34.00	18.00	1.50	55.00	19.00	0.12	333140-3418	333170-3519
32-20	34.00	22.00	1.50	55.00	19.00	0.12	333140-3422	333170-3422
32-25	34.00	28.00	1.50	55.00	19.00	0.12	333140-3428	333170-3428
40-15	40.00	18.00	1.50	60.00	22.00	0.15	333140-4018	333170-4018
40-20	40.00	22.00	1.50	60.00	22.00	0.15	333140-4022	333170-4022
40-25	40.00	28.00	1.50	60.00	22.00	0.15	333140-4028	333170-4028
40-32	40.00	34.00	1.50	60.00	22.00	0.15	333140-4034	333170-4034
50-15	52.00	18.00	1.50	70.00	29.00	0.24	333140-5218	333170-5218
50-20	52.00	22.00	1.50	70.00	29.00	0.24	333140-5222	333170-5222
50-25	52.00	28.00	1.50	70.00	29.00	0.24	333140-5228	333170-5228
50-32	52.00	34.00	1.50	70.00	29.00	0.24	333140-5234	333170-5234
50-40	52.00	40.00	1.50	70.00	29.00	0.24	333140-5240	333170-5240
65-25	70.00	28.00	2.00	80.00	39.00	0.47	333140-7028	333170-7028
65-32	70.00	34.00	2.00	80.00	39.00	0.47	333140-7034	333170-7034
65-40	70.00	40.00	2.00	80.00	39.00	0.46	333140-7040	333170-7040
65-50	70.00	52.00	2.00	80.00	39.00	0.46	333140-7052	333170-7052
80-25	85.00	28.00	2.00	90.00	46.50	0.70	333140-8528	333170-8528
80-32	85.00	34.00	2.00	90.00	46.50	0.70	333140-8534	333170-8534
80-40	85.00	40.00	2.00	90.00	46.50	0.69	333140-8540	333170-8540
80-50	85.00	52.00	2.00	90.00	46.50	0.68	333140-8552	333170-8552
80-65	85.00	70.00	2.00	90.00	46.50	0.68	333140-8570	333170-8570
100-25	104.00	28.00	2.00	100.00	56.00	1.00	333140-10428	333170-10428
100-32	104.00	34.00	2.00	100.00	56.00	0.99	333140-10434	333170-10434
100-40	104.00	40.00	2.00	100.00	56.00	0.98	333140-10440	333170-10440
100-50	104.00	52.00	2.00	100.00	56.00	0.98	333140-10452	333170-10452
100-65	104.00	70.00	2.00	100.00	56.00	0.97	333140-10470	333170-10470
100-80	104.00	85.00	2.00	100.00	56.00	0.97	333140-10485	333170-10485
125-25	129.00	28.00	2.00	187.50	68.50	2.00	333140-12928	333170-12928
125-32	129.00	34.00	2.00	187.50	68.50	1.98	333140-12934	333170-12934
125-40	129.00	40.00	2.00	187.50	68.50	1.96	333140-12940	333170-12940
125-50	129.00	52.00	2.00	187.50	68.50	1.94	333140-12952	333170-12952
125-65	129.00	70.00	2.00	187.50	68.50	1.97	333140-12970	333170-12970
125-80	129.00	85.00	2.00	187.50	68.50	1.95	333140-12985	333170-12985
125-100	129.00	104.00	2.00	187.50	68.50	1.93	333140-129104	333170-129104
150-40	154.00	40.00	2.00	225.00	81.00	2.95	333140-15440	333170-15440
150-50	154.00	52.00	2.00	225.00	81.00	2.93	333140-15452	333170-15452
150-65	154.00	70.00	2.00	225.00	81.00	2.89	333140-15470	333170-15470
150-80	154.00	85.00	2.00	225.00	81.00	2.85	333140-15485	333170-15485
150-100	154.00	104.00	2.00	225.00	81.00	2.82	333140-154104	333170-154104
150-125	154.00	129.00	2.00	225.00	81.00	2.80	333140-154129	333170-154129
200-125	204.00	129.00	2.00	300.00	110.00	5.68	333140-204129	333170-204129
200-150	204.00	154.00	2.00	300.00	110.00	5.40	333140-204154	333170-204154
250-150	254.00	154.00	2.00	375.00	141.00	8.80	333140-254154	333170-254154
250-200	254.00	204.00	2.00	375.00	141.00	8.82	333140-254204	333170-254204

**REDUCING WELDING SHORT TEE
DIN 11852 (RANGE 2)**



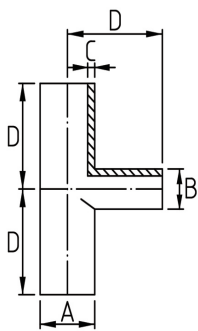
DN	A mm	B mm	C mm	D mm	E mm	kg	AISI 304/1.4301 Art.-Nr.	AISI 316L/1.4404 Art.-Nr.2
15-10	19.00	13.00	1.50	35.00	11.00	0.04	333140-1913	333170-1913
20-10	23.00	13.00	1.50	40.00	13.00	0.06	333140-2313	333170-2313
20-15	23.00	19.00	1.50	40.00	13.00	0.06	333140-2319	333170-2319
25-10	29.00	13.00	1.50	50.00	17.00	0.09	333140-2913	333170-2913
25-15	29.00	19.00	1.50	50.00	17.00	0.09	333140-2919	333170-2919
25-20	29.00	23.00	1.50	50.00	17.00	0.09	333140-2923	333170-2923
32-15	35.00	19.00	1.50	55.00	19.50	0.12	333140-3519	333170-3422
32-20	35.00	23.00	1.50	55.00	19.50	0.12	333140-3523	333170-3523
32-25	35.00	29.00	1.50	55.00	19.50	0.12	333140-3529	333170-3529
40-15	41.00	19.00	1.50	60.00	22.50	0.15	333140-4119	333170-4119
40-20	41.00	23.00	1.50	60.00	22.50	0.15	333140-4123	333170-4123
40-25	41.00	29.00	1.50	60.00	22.50	0.15	333140-4129	333170-4129
40-32	41.00	35.00	1.50	60.00	22.50	0.15	333140-4135	333170-4135
50-15	53.00	19.00	1.50	70.00	29.50	0.24	333140-5319	333170-5319
50-20	53.00	23.00	1.50	70.00	29.50	0.24	333140-5323	333170-5323
50-25	53.00	29.00	1.50	70.00	29.50	0.24	333140-5329	333170-5329
50-32	53.00	35.00	1.50	70.00	29.50	0.24	333140-5335	333170-5335
50-40	53.00	41.00	1.50	70.00	29.50	0.24	333140-5341	333170-5341
65-25	70.00	29.00	2.00	80.00	39.00	0.47	333140-7029	333170-7029
65-32	70.00	35.00	2.00	80.00	39.00	0.47	333140-7035	333170-7035
65-40	70.00	41.00	2.00	80.00	39.00	0.46	333140-7041	333170-7041
65-50	70.00	53.00	2.00	80.00	39.00	0.46	333140-7053	333170-7053
80-25	85.00	29.00	2.00	90.00	46.50	0.70	333140-8529	333170-8529
80-32	85.00	35.00	2.00	90.00	46.50	0.70	333140-8535	333170-8535
80-40	85.00	41.00	2.00	90.00	46.50	0.69	333140-8541	333170-8541
80-50	85.00	53.00	2.00	90.00	46.50	0.68	333140-8553	333170-8553
80-65	85.00	70.00	2.00	90.00	46.50	0.68	333140-8570	333170-8570
100-25	104.00	29.00	2.00	100.00	56.00	1.00	333140-10429	333170-10429
100-32	104.00	35.00	2.00	100.00	56.00	0.99	333140-10435	333170-10435
100-40	104.00	41.00	2.00	100.00	56.00	0.98	333140-10441	333170-10441
100-50	104.00	53.00	2.00	100.00	56.00	0.98	333140-10453	333170-10453
100-65	104.00	70.00	2.00	100.00	56.00	0.97	333140-10470	333170-10470
100-80	104.00	85.00	2.00	100.00	56.00	0.97	333140-10485	333170-10485
125-25	129.00	29.00	2.00	187.50	68.50	2.00	333140-12929	333170-12929
125-32	129.00	35.00	2.00	187.50	68.50	1.98	333140-12935	333170-12935
125-40	129.00	41.00	2.00	187.50	68.50	1.96	333140-12941	333170-12941
125-50	129.00	53.00	2.00	187.50	68.50	1.94	333140-12953	333170-12953
125-65	129.00	70.00	2.00	187.50	68.50	1.97	333140-12970	333170-12970
125-80	129.00	85.00	2.00	187.50	68.50	1.95	333140-12985	333170-12985
125-100	129.00	104.00	2.00	187.50	68.50	1.93	333140-129104	333170-129104
150-40	154.00	41.00	2.00	225.00	81.00	2.95	333140-15441	333170-15441
150-50	154.00	53.00	2.00	225.00	81.00	2.93	333140-15453	333170-15453
150-65	154.00	70.00	2.00	225.00	81.00	2.89	333140-15470	333170-15470
150-80	154.00	85.00	2.00	225.00	81.00	2.85	333140-15485	333170-15485
150-100	154.00	104.00	2.00	225.00	81.00	2.82	333140-154104	333170-154104
150-125	154.00	129.00	2.00	225.00	81.00	2.80	333140-154129	333170-154129
200-125	204.00	129.00	2.00	300.00	110.00	5.68	333140-204129	333170-204129
200-150	204.00	154.00	2.00	300.00	110.00	5.40	333140-204154	333170-204154
250-150	254.00	154.00	2.00	375.00	141.00	8.80	333140-254154	333170-254154
250-200	254.00	204.00	2.00	375.00	141.00	8.82	333140-254204	333170-254204

**REDUCING WELDING LONG TEE
DIN 11852 (RANGE 1)**



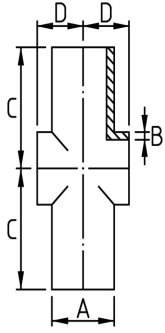
DN	A mm	B mm	C mm	D mm	E mm	kg	AISI 304/1.4301 Art.-Nr.	AISI 316L/1.4404 Art.-Nr.2
15-10	18.00	12.00	1.50	35.00		0.05	335140-1812	335170-1812
20-10	22.00	12.00	1.50	40.00		0.07	335140-2212	335170-2212
20-15	22.00	18.00	1.50	40.00		0.07	335140-2218	335170-2218
25-10	28.00	12.00	1.50	50.00		0.11	335140-2812	335170-2812
25-15	28.00	18.00	1.50	50.00		0.11	335140-2818	335170-2818
25-20	28.00	22.00	1.50	50.00		0.11	335140-2822	335170-2822
32-15	34.00	18.00	1.50	55.00		0.14	335140-3418	335170-3519
32-20	34.00	22.00	1.50	55.00		0.14	335140-3422	335170-3422
32-25	34.00	28.00	1.50	55.00		0.14	335140-3428	335170-3428
40-15	40.00	18.00	1.50	60.00		0.18	335140-4018	335170-4018
40-20	40.00	22.00	1.50	60.00		0.18	335140-4022	335170-4022
40-25	40.00	28.00	1.50	60.00		0.18	335140-4028	335170-4028
40-32	40.00	34.00	1.50	60.00		0.18	335140-4034	335170-4034
50-15	52.00	18.00	1.50	70.00		0.29	335140-5218	335170-5218
50-20	52.00	22.00	1.50	70.00		0.29	335140-5222	335170-5222
50-25	52.00	28.00	1.50	70.00		0.29	335140-5228	335170-5228
50-32	52.00	34.00	1.50	70.00		0.29	335140-5234	335170-5234
50-40	52.00	40.00	1.50	70.00		0.29	335140-5240	335170-5240
65-25	70.00	28.00	2.00	80.00		0.56	335140-7028	335170-7028
65-32	70.00	34.00	2.00	80.00		0.56	335140-7034	335170-7034
65-40	70.00	40.00	2.00	80.00		0.55	335140-7040	335170-7040
65-50	70.00	52.00	2.00	80.00		0.55	335140-7052	335170-7052
80-25	85.00	28.00	2.00	90.00		0.84	335140-8528	335170-8528
80-32	85.00	34.00	2.00	90.00		0.84	335140-8534	335170-8534
80-40	85.00	40.00	2.00	90.00		0.83	335140-8540	335170-8540
80-50	85.00	52.00	2.00	90.00		0.82	335140-8552	335170-8552
80-65	85.00	70.00	2.00	90.00		0.82	335140-8570	335170-8570
100-25	104.00	28.00	2.00	100.00		1.20	335140-10428	335170-10428
100-32	104.00	34.00	2.00	100.00		1.19	335140-10434	335170-10434
100-40	104.00	40.00	2.00	100.00		1.18	335140-10440	335170-10440
100-50	104.00	52.00	2.00	100.00		1.18	335140-10452	335170-10452
100-65	104.00	70.00	2.00	100.00		1.16	335140-10470	335170-10470
100-80	104.00	85.00	2.00	100.00		1.16	335140-10485	335170-10485
125-25	129.00	28.00	2.00	187.50		2.40	335140-12928	335170-12928
125-32	129.00	34.00	2.00	187.50		2.38	335140-12934	335170-12934
125-40	129.00	40.00	2.00	187.50		2.35	335140-12940	335170-12940
125-50	129.00	52.00	2.00	187.50		2.33	335140-12952	335170-12952
125-65	129.00	70.00	2.00	187.50		2.36	335140-12970	335170-12970
125-80	129.00	85.00	2.00	187.50		2.34	335140-12985	335170-12985
125-100	129.00	104.00	2.00	187.50		2.32	335140-129104	335170-129104
150-40	154.00	40.00	2.00	225.00		3.54	335140-15440	335170-15440
150-50	154.00	52.00	2.00	225.00		3.52	335140-15452	335170-15452
150-65	154.00	70.00	2.00	225.00		3.47	335140-15470	335170-15470
150-80	154.00	85.00	2.00	225.00		3.42	335140-15485	335170-15485
150-100	154.00	104.00	2.00	225.00		3.38	335140-154104	335170-154104
150-125	154.00	129.00	2.00	225.00		3.36	335140-154129	335170-154129
200-125	204.00	129.00	2.00	300.00		6.82	335140-204129	335170-204129
200-150	204.00	154.00	2.00	300.00		6.48	335140-204154	335170-204154
250-150	254.00	154.00	2.00	375.00		10.56	335140-254154	335170-254154
250-200	254.00	204.00	2.00	375.00		10.58	335140-254204	335170-254204

REDUCING WELDING LONG TEE
DIN 11852 (RANGE 2)



DN	A mm	B mm	C mm	D mm	E mm	kg	AISI 304/1.4301 Art.-Nr.	AISI 316L/1.4404 Art.-Nr.2
15-10	19.00	13.00	1.50	35.00		0.06	335140-1913	335170-1913
20-10	23.00	13.00	1.50	40.00		0.08	335140-2313	335170-2313
20-15	23.00	19.00	1.50	40.00		0.08	335140-2319	335170-2319
25-10	29.00	13.00	1.50	50.00		0.13	335140-2913	335170-2913
25-15	29.00	19.00	1.50	50.00		0.13	335140-2919	335170-2919
25-20	29.00	23.00	1.50	50.00		0.13	335140-2923	335170-2923
32-15	35.00	19.00	1.50	55.00		0.17	335140-3519	335170-3422
32-20	35.00	23.00	1.50	55.00		0.17	335140-3523	335170-3523
32-25	35.00	29.00	1.50	55.00		0.17	335140-3529	335170-3529
40-15	41.00	19.00	1.50	60.00		0.22	335140-4119	335170-4119
40-20	41.00	23.00	1.50	60.00		0.22	335140-4123	335170-4123
40-25	41.00	29.00	1.50	60.00		0.22	335140-4129	335170-4129
40-32	41.00	35.00	1.50	60.00		0.22	335140-4135	335170-4135
50-15	53.00	19.00	1.50	70.00		0.35	335140-5319	335170-5319
50-20	53.00	23.00	1.50	70.00		0.35	335140-5323	335170-5323
50-25	53.00	29.00	1.50	70.00		0.35	335140-5329	335170-5329
50-32	53.00	35.00	1.50	70.00		0.35	335140-5335	335170-5335
50-40	53.00	41.00	1.50	70.00		0.35	335140-5341	335170-5341
65-25	70.00	29.00	2.00	80.00		0.67	335140-7029	335170-7029
65-32	70.00	35.00	2.00	80.00		0.67	335140-7035	335170-7035
65-40	70.00	41.00	2.00	80.00		0.66	335140-7041	335170-7041
65-50	70.00	53.00	2.00	80.00		0.66	335140-7053	335170-7053
80-25	85.00	29.00	2.00	90.00		1.01	335140-8529	335170-8529
80-32	85.00	35.00	2.00	90.00		1.01	335140-8535	335170-8535
80-40	85.00	41.00	2.00	90.00		1.00	335140-8541	335170-8541
80-50	85.00	53.00	2.00	90.00		0.98	335140-8553	335170-8553
80-65	85.00	70.00	2.00	90.00		0.98	335140-8570	335170-8570
100-25	104.00	29.00	2.00	100.00		1.44	335140-10429	335170-10429
100-32	104.00	35.00	2.00	100.00		1.43	335140-10435	335170-10435
100-40	104.00	41.00	2.00	100.00		1.42	335140-10441	335170-10441
100-50	104.00	53.00	2.00	100.00		1.42	335140-10453	335170-10453
100-65	104.00	70.00	2.00	100.00		1.39	335140-10470	335170-10470
100-80	104.00	85.00	2.00	100.00		1.39	335140-10485	335170-10485
125-25	129.00	29.00	2.00	187.50		2.88	335140-12929	335170-12929
125-32	129.00	35.00	2.00	187.50		2.86	335140-12935	335170-12935
125-40	129.00	41.00	2.00	187.50		2.82	335140-12941	335170-12941
125-50	129.00	53.00	2.00	187.50		2.80	335140-12953	335170-12953
125-65	129.00	70.00	2.00	187.50		2.83	335140-12970	335170-12970
125-80	129.00	85.00	2.00	187.50		2.81	335140-12985	335170-12985
125-100	129.00	104.00	2.00	187.50		2.78	335140-129104	335170-129104
150-40	154.00	41.00	2.00	225.00		4.25	335140-15441	335170-15441
150-50	154.00	53.00	2.00	225.00		4.22	335140-15453	335170-15453
150-65	154.00	70.00	2.00	225.00		4.16	335140-15470	335170-15470
150-80	154.00	85.00	2.00	225.00		4.10	335140-15485	335170-15485
150-100	154.00	104.00	2.00	225.00		4.06	335140-154104	335170-154104
150-125	154.00	129.00	2.00	225.00		4.03	335140-154129	335170-154129
200-125	204.00	129.00	2.00	300.00		8.18	335140-204129	335170-204129
200-150	204.00	154.00	2.00	300.00		7.78	335140-204154	335170-204154
250-150	254.00	154.00	2.00	375.00		12.67	335140-254154	335170-254154
250-200	254.00	204.00	2.00	375.00		12.70	335140-254204	335170-254204

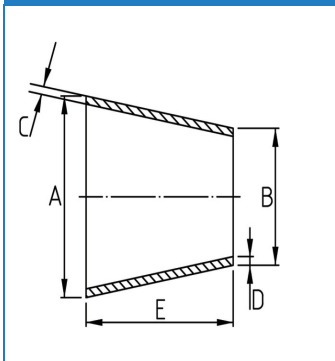
WELDING CROSS
DIN 11852



DN	A mm	B mm	C mm	D mm	E mm	kg	AISI 304/1.4301 Art.-Nr.	AISI 316L/1.4404 Art.-Nr.2
15	18.00	1.50	35.00	10.00		0.06	334140-18	334170-18
15	19.00	1.50	35.00	11.00		0.06	334140-19	334170-19
20	22.00	1.50	40.00	12.00		0.07	334140-22	334170-22
20	23.00	1.50	40.00	13.00		0.07	334140-23	334170-23
25	28.00	1.50	50.00	15.50		0.09	334140-28	334170-28
25	29.00	1.50	50.00	16.50		0.09	334140-29	334170-29
32	34.00	1.50	55.00	18.50		0.13	334140-34	334170-34
32	35.00	1.50	55.00	19.00		0.13	334140-35	334170-35
40	40.00	1.50	60.00	21.50		0.15	334140-40	334170-40
40	41.00	1.50	60.00	22.50		0.15	334140-41	334170-41
50	52.00	1.50	70.00	28.00		0.24	334140-52	334170-52
50	53.00	1.50	70.00	29.50		0.24	334140-53	334170-53
65	70.00	2.00	80.00	40.00		0.49	334140-70	334170-70
80	85.00	2.00	90.00	45.50		0.64	334140-85	334170-85
100	104.00	2.00	100.00	58.00		0.91	334140-104	334170-104
125	129.00	2.00	187.50	71.50		1.97	334140-129	334170-129
150	154.00	2.00	225.00	87.00		2.89	334140-154	334170-154

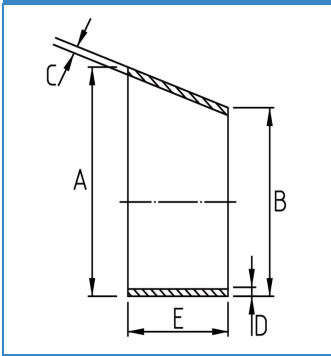
www.efitek-inox.com

**CONCENTRIC REDUCER
DIN 11852**



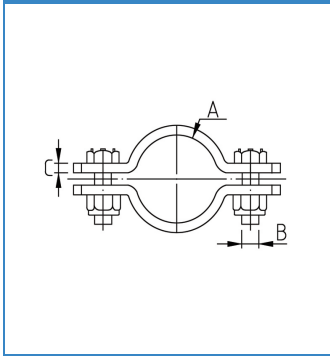
DN	A mm	B mm	C mm	D mm	E mm	kg	AISI 304/1.4301 Art.-Nr.	AISI 316L/1.4404 Art.-Nr.2
15-10	18.00	12.00	1.50	1.50	11.00	0.01	341140-1812	341170-1812
15-10	19.00	13.00	1.50	1.50	11.00	0.01	341140-1913	341170-1913
20-10	22.00	12.00	1.50	1.50	18.00	0.02	341140-2212	341170-2212
20-10	23.00	13.00	1.50	1.50	18.00	0.02	341140-2313	341170-2313
20-15	22.00	18.00	1.50	1.50	7.00	0.01	341140-2218	341170-2218
20-15	23.00	19.00	1.50	1.50	7.00	0.01	341140-2319	341170-2319
25-10	28.00	12.00	1.50	1.50	28.00	0.02	341140-2812	341170-2812
25-10	29.00	13.00	1.50	1.50	28.00	0.02	341140-2913	341170-2913
25-15	28.00	18.00	1.50	1.50	18.00	0.02	341140-2818	341170-2818
25-15	29.00	19.00	1.50	1.50	18.00	0.02	341140-2919	341170-2919
25-20	28.00	22.00	1.50	1.50	11.00	0.01	341140-2822	341170-2822
25-20	29.00	23.00	1.50	1.50	11.00	0.01	341140-2923	341170-2923
32-15	34.00	18.00	1.50	1.50	28.00	0.03	341140-3418	341170-3418
32-15	35.00	19.00	1.50	1.50	28.00	0.03	341140-3519	341170-3519
32-20	34.00	22.00	1.50	1.50	22.00	0.02	341140-3422	341170-3422
32-20	35.00	23.00	1.50	1.50	22.00	0.02	341140-3523	341170-3523
32-25	34.00	28.00	1.50	1.50	11.00	0.02	341140-3428	341170-3428
32-25	35.00	29.00	1.50	1.50	11.00	0.02	341140-3529	341170-3529
40-18	40.00	18.00	1.50	1.50	39.00	0.05	341140-4018	341170-4018
40-19	41.00	19.00	1.50	1.50	39.00	0.05	341140-4119	341170-4119
40-20	40.00	22.00	1.50	1.50	33.00	0.04	341140-4022	341170-4022
40-20	41.00	23.00	1.50	1.50	33.00	0.04	341140-4123	341170-4123
40-25	40.00	28.00	1.50	1.50	22.00	0.03	341140-4028	341170-4028
40-25	41.00	29.00	1.50	1.50	22.00	0.03	341140-4129	341170-4129
40-32	40.00	34.00	1.50	1.50	11.00	0.04	341140-4034	341170-4034
40-32	41.00	35.00	1.50	1.50	11.00	0.04	341140-4135	341170-4135
50-20	52.00	22.00	1.50	1.50	50.00	0.09	341140-5222	341170-5222
50-20	53.00	23.00	1.50	1.50	50.00	0.09	341140-5323	341170-5323
50-25	52.00	28.00	1.50	1.50	44.00	0.08	341140-5228	341170-5228
50-25	53.00	29.00	1.50	1.50	44.00	0.08	341140-5329	341170-5329
50-32	52.00	34.00	1.50	1.50	33.00	0.08	341140-5234	341170-5234
50-32	53.00	35.00	1.50	1.50	33.00	0.08	341140-5335	341170-5335
50-40	52.00	40.00	1.50	1.50	22.00	0.09	341140-5240	341170-5240
50-40	53.00	41.00	1.50	1.50	22.00	0.09	341140-5341	341170-5341
65-32	70.00	34.00	2.00	1.50	62.00	0.12	341140-7034	341170-7034
65-32	70.00	35.00	2.00	1.50	62.00	0.12	341140-7035	341170-7035
65-40	70.00	40.00	2.00	1.50	51.00	0.11	341140-7040	341170-7040
65-40	70.00	41.00	2.00	1.50	51.00	0.11	341140-7041	341170-7041
65-50	70.00	52.00	2.00	1.50	29.00	0.09	341140-7052	341170-7052
65-50	70.00	53.00	2.00	1.50	29.00	0.09	341140-7053	341170-7053
80-40	85.00	40.00	2.00	1.50	78.00	0.16	341140-8540	341170-8540
80-40	85.00	41.00	2.00	1.50	78.00	0.16	341140-8541	341170-8541
80-50	85.00	52.00	2.00	1.50	56.00	0.12	341140-8552	341170-8552
80-50	85.00	53.00	2.00	1.50	56.00	0.12	341140-8553	341170-8553
80-65	85.00	70.00	2.00	2.00	27.00	0.11	341140-8570	341170-8570
100-50	104.00	52.00	2.00	1.50	90.00	0.29	341140-10452	341170-10452
100-50	104.00	53.00	2.00	1.50	90.00	0.29	341140-10453	341170-10453
100-65	104.00	70.00	2.00	2.00	61.00	0.28	341140-10470	341170-10470
100-80	104.00	85.00	2.00	2.00	34.00	0.17	341140-10485	341170-10485
125-65	129.00	70.00	2.00	2.00	106.00	0.44	341140-12970	341170-12970
125-80	129.00	85.00	2.00	2.00	79.00	0.41	341140-12985	341170-12985
125-100	129.00	104.00	2.00	2.00	45.00	0.55	341140-129104	341170-129104
150-80	154.00	85.00	2.00	2.00	124.00	0.50	341140-15485	341170-15485
150-100	154.00	104.00	2.00	2.00	90.00	0.45	341140-154104	341170-154104
150-125	154.00	129.00	2.00	2.00	45.00	0.40	341140-154129	341170-154129
200-150	204.00	154.00	2.00	2.00	90.00	0.79	341140-204154	341170-204154

**EXCENTRIC REDUCER
DIN 11852**



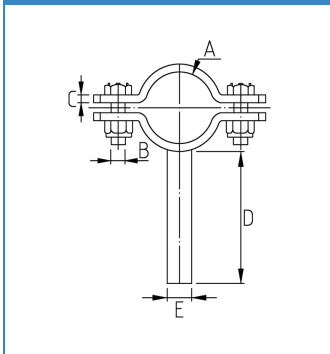
DN	A mm	B mm	C mm	D mm	E mm	kg	AISI 304/1.4301 Art.-Nr.	AISI 316L/1.4404 Art.-Nr.2
15-10	18.00	12.00	1.50	1.50	16.50	0.01	343140-1812	343170-1812
15-10	19.00	13.00	1.50	1.50	16.50	0.01	343140-1913	343170-1913
20-10	22.00	12.00	1.50	1.50	27.50	0.02	343140-2212	343170-2212
20-10	23.00	13.00	1.50	1.50	27.50	0.02	343140-2313	343170-2313
20-15	22.00	18.00	1.50	1.50	11.00	0.01	343140-2218	343170-2218
20-15	23.00	19.00	1.50	1.50	11.00	0.01	343140-2319	343170-2319
25-10	28.00	12.00	1.50	1.50	44.00	0.02	343140-2812	343170-2812
25-10	29.00	13.00	1.50	1.50	44.00	0.02	343140-2913	343170-2913
25-15	28.00	18.00	1.50	1.50	27.50	0.02	343140-2818	343170-2818
25-15	29.00	19.00	1.50	1.50	27.50	0.02	343140-2919	343170-2919
25-20	28.00	22.00	1.50	1.50	16.50	0.03	343140-2822	343170-2822
25-20	29.00	23.00	1.50	1.50	16.50	0.03	343140-2923	343170-2923
32-15	34.00	18.00	1.50	1.50	44.00	0.03	343140-3438	343170-3438
32-15	35.00	19.00	1.50	1.50	44.00	0.03	343140-3519	343170-3519
32-20	34.00	22.00	1.50	1.50	33.00	0.03	343140-3422	343170-3422
32-20	35.00	23.00	1.50	1.50	33.00	0.03	343140-3523	343170-3523
32-25	34.00	28.00	1.50	1.50	16.50	0.04	343140-3428	343170-3428
32-25	35.00	29.00	1.50	1.50	16.50	0.04	343140-3529	343170-3529
40-15	40.00	18.00	1.50	1.50	60.50	0.05	343140-4018	343170-4018
40-15	41.00	19.00	1.50	1.50	60.50	0.05	343140-4119	343170-4119
40-20	40.00	22.00	1.50	1.50	49.50	0.04	343140-4022	343170-4022
40-20	41.00	23.00	1.50	1.50	49.50	0.04	343140-4123	343170-4123
40-25	40.00	28.00	1.50	1.50	33.00	0.05	343140-4028	343170-4028
40-25	41.00	29.00	1.50	1.50	33.00	0.05	343140-4129	343170-4129
40-32	40.00	34.00	1.50	1.50	16.50	0.07	343140-4034	343170-4034
40-32	41.00	35.00	1.50	1.50	16.50	0.07	343140-4135	343170-4135
50-25	52.00	28.00	1.50	1.50	66.00	0.08	343140-5228	343170-5228
50-25	53.00	29.00	1.50	1.50	66.00	0.08	343140-5329	343170-5329
50-32	52.00	34.00	1.50	1.50	49.50	0.11	343140-5234	343170-5234
50-32	53.00	35.00	1.50	1.50	49.50	0.11	343140-5335	343170-5335
50-40	52.00	40.00	1.50	1.50	33.00	0.07	343140-5240	343170-5240
50-40	53.00	41.00	1.50	1.50	33.00	0.07	343140-5343	343170-5343
65-40	70.00	40.00	2.00	1.50	77.00	0.17	343140-7040	343170-7040
65-40	70.00	41.00	2.00	1.50	77.00	0.17	343140-7041	343170-7041
65-50	70.00	52.00	2.00	1.50	44.00	0.11	343140-7052	343170-7052
65-50	70.00	53.00	2.00	1.50	44.00	0.11	343140-7053	343170-7053
80-50	85.00	52.00	2.00	1.50	85.00	0.21	343140-8552	343170-8552
80-50	85.00	53.00	2.00	1.50	85.00	0.21	343140-8553	343170-8553
80-65	85.00	70.00	2.00	2.00	41.20	0.14	343140-8570	343170-8570
100-50	104.00	52.00	2.00	1.50	137.50	0.80	343140-10452	343170-10452
100-50	104.00	53.00	2.00	1.50	137.50	0.80	343140-10453	343170-10453
100-65	104.00	70.00	2.00	2.00	93.50	0.34	343140-10470	343170-10470
100-80	104.00	85.00	2.00	2.00	52.50	0.20	343140-10485	343170-10485
125-80	129.00	85.00	2.00	2.00	121.00	0.38	343140-12985	343170-12985
125-100	129.00	104.00	2.00	2.00	68.50	0.28	343140-129104	343170-129104
150-100	154.00	104.00	2.00	2.00	137.50	0.53	343140-154104	343170-154104
150-125	154.00	129.00	2.00	2.00	68.50	0.29	343140-154129	343170-154129

ROUND PIPE HANGER DIN WITHOUT SHANK



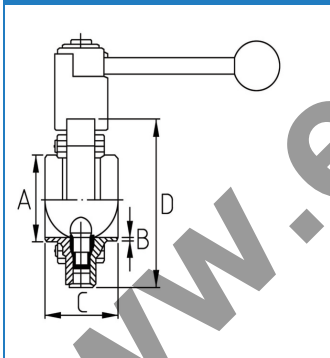
DN	A mm	B mm	C mm	D mm	E mm	kg	AISI 304/1.4301 Art.-Nr.	AISI 316L/1.4404 Art.-Nr.2
10	12.00	M6x20	20x3			0.04	361140-10	
15	18.00	M6x20	20x3			0.05	361140-15	
20	22.00	M6x20	20x3			0.06	361140-20	
25	28.00	M6x20	20x3			0.07	361140-25	
32	34.00	M6x20	20x3			0.08	361140-32	
40	40.00	M6x20	20x3			0.09	361140-40	
50	52.00	M6x20	20x3			0.10	361140-50	
65	70.00	M6x25	20x3			0.13	361140-65	
80	85.00	M6x25	25x3			0.19	361140-80	
100	104.00	M6x25	25x3			0.24	361140-100	
125	129.00	M8x30	30x3			0.37	361140-125	
150	154.00	M8x30	30x4			0.50	361140-150	
200	204.00	M8x35	30x4			0.80	361140-200	
250	254.00	M10x40	30x4			1.10	361140-250	

ROUND PIPE HANGER DIN WITH SHANK



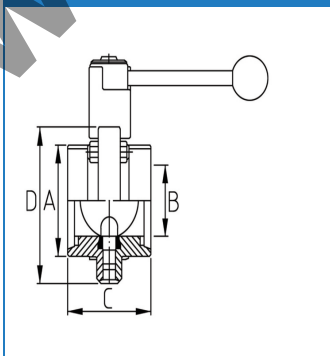
DN	A mm	B mm	C mm	D mm	E mm	kg	AISI 304/1.4301 Art.-Nr.	AISI 316L/1.4404 Art.-Nr.2
10	12.00	M6x20	20x3	55.00	8.00	0.07	362140-10	
15	18.00	M6x20	20x3	55.00	8.00	0.08	362140-15	
20	22.00	M6x20	20x3	55.00	8.00	0.09	362140-20	
25	28.00	M6x20	20x3	55.00	10.00	0.11	362140-25	
32	34.00	M6x20	20x3	55.00	10.00	0.12	362140-32	
40	40.00	M6x20	20x3	55.00	10.00	0.13	362140-40	
50	52.00	M6x20	20x3	55.00	12.00	0.16	362140-50	
65	70.00	M6x25	20x3	55.00	12.00	0.19	362140-65	
80	85.00	M6x25	25x3	55.00	12.00	0.25	362140-80	
100	104.00	M6x25	25x3	55.00	12.00	0.29	362140-100	
125	129.00	M8x30	30x3	55.00	14.00	0.43	362140-125	
150	154.00	M8x30	30x4	55.00	14.00	0.57	362140-150	
200	204.00	M8x35	30x4	55.00	16.00	0.90	362140-200	
250	254.00	M10x40	30x4	55.00	16.00	1.20	362140-250	

WELDED ENDS BUTTERFLY VALVE WITH HANDLE



DN	A mm	B mm	C mm	D mm	E mm	kg	AISI 304/1.4301 Art.-Nr.	AISI 316L/1.4404 Art.-Nr.2
25	28.00	1.50	50.00	78.00	DIN 1	1.30	551141-28	551171-28
25	29.00	1.50	50.00	78.00	DIN 2	1.30	551141-29	551171-29
32	34.00	1.50	50.00	86.00	DIN 1	1.40	551141-34	551171-34
32	35.00	1.50	50.00	86.00	DIN 2	1.40	551141-35	551171-35
40	40.00	1.50	50.00	90.00	DIN 1	1.50	551141-40	551171-40
40	41.00	1.50	50.00	90.00	DIN 2	1.50	551141-41	551171-41
50	52.00	1.50	52.00	106.00	DIN 1	1.80	551141-52	551171-52
50	53.00	1.50	52.00	106.00	DIN 2	1.80	551141-53	551171-53
65	70.00	2.00	56.00	124.00	DIN	2.20	551141-70	551171-70
80	85.00	2.00	60.00	139.00	DIN	4.00	551141-85	551171-85
100	104.00	2.00	64.00	159.00	DIN	4.80	551141-104	551171-104

THREADED ENDS BUTTERFLY VALVE WITH HANDLE



DN	A mm	B mm	C mm	D mm	E mm	kg	AISI 304/1.4301 Art.-Nr.	AISI 316L/1.4404 Art.-Nr.2
25	Rd52x1/6	25.00	66.00	78.00	DIN	1.70	552141-28	552171-28
32	Rd58x1/6	31.00	70.00	86.00	DIN	1.80	552141-34	552171-34
40	Rd65x1/6	37.00	74.00	90.00	DIN	2.00	552141-40	552171-40
50	Rd78x1/6	49.00	76.00	106.00	DIN	2.40	552141-52	552171-52
65	Rd95x1/6	66.00	80.00	124.00	DIN	3.10	552141-70	552171-70
80	Rd110x1/4	81.00	84.00	139.00	DIN	5.20	552141-85	552171-85
100	Rd130x1/4	100.00	104.00	159.00	DIN	6.50	552141-104	552171-104